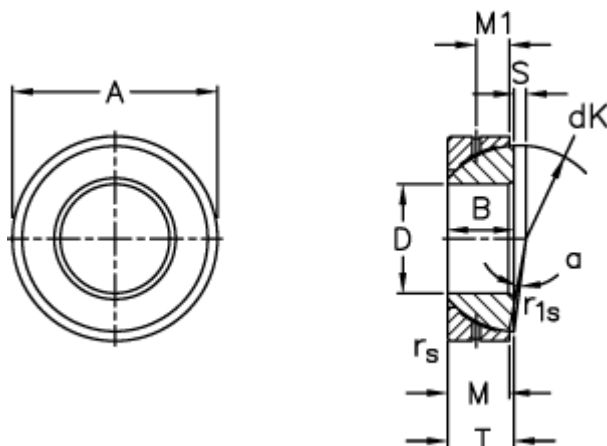


Article number: 03509055

Description: Fluro Rod end GE 55SX

## Measures



A	= 90 0 -0,018	S	= 5
B	= 23	Static load C0 (kN)	= 735
D	= 55 0 -0,015	T	= 23 +0,25 -0,50
dK	= 82	Tilt angle	= 4
Dynamic load C (kN)	= 146	Weight	= 645
M	= 20		
M1	= 11.5		
rs, r1s min	= 1.1		